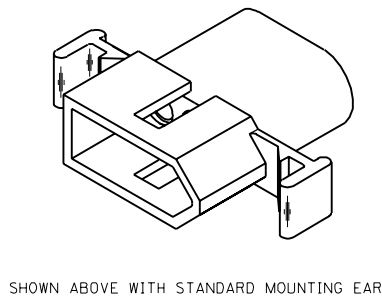
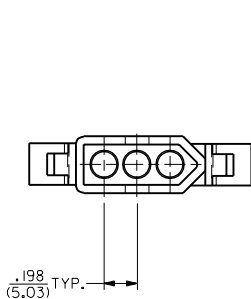
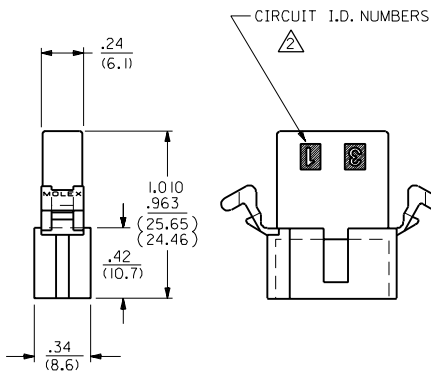
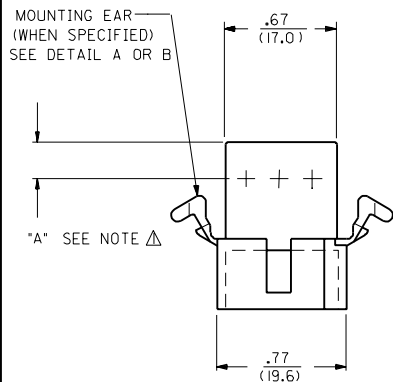
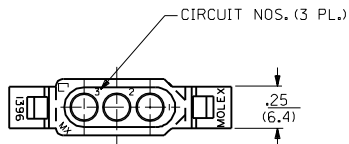
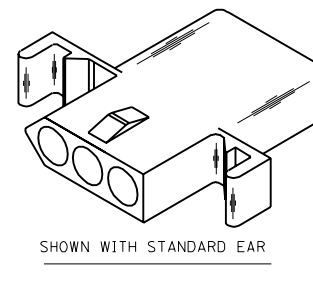
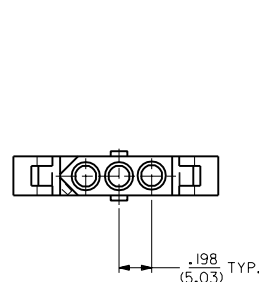
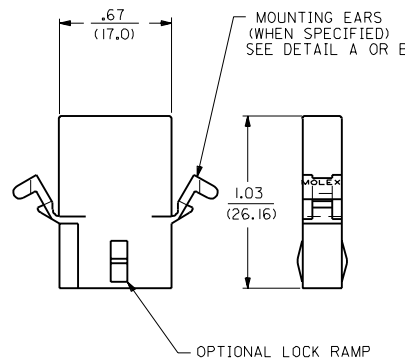
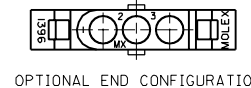
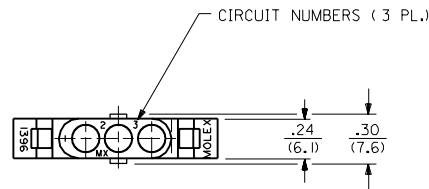


PLUG



RECEPTACLE



NOTES:
 Δ DIMENSION FROM THE BACK OF HOUSING TO THE END OF THE BRUSH ON THE WIRE INSERTED INTO THE HOUSING
 DIM "A" = .256/6.50 FOR 42477 & 42478 TERMINALS
 .216/5.49 FOR ALL OTHER .093 TERMINALS
 DIM "B" = .377/9.58 FOR 42477 & 42478 TERMINALS
 .337/8.56 FOR ALL OTHER .093 TERMINALS

Y3	REVISED PER UCR2000-05B3 3/1/00 DDB
Y2	REMOVE -R3, -R5 VER. PER ECON #UG 1479 6-10-96 RW
Y1	X-REMOVE 1396-R4 ECR U3 1583 GC 10/26/93 RW
Y	ADD CKT. I.D. #'S PER ECR U3 0683 GC 5/4/93 RW
X	REV MAT'L SPECS. ECR U2-1491 10-08-92 A.GUZIK
W1	ADD -D VERSIONS. ECR U1 1106 GC 7/25/91 RW
W	REVISE ON CAD ECR #UB 1381 JJS 4-24-88 RW
2	Y2
1	Y3
MFG. SH.	REV. LTR.
REVISE ONLY ON CAD SYSTEM	

DIMENSIONS SHOWN METRIC (INCH) UNLESS OTHERWISE SPECIFIED TOLERANCES ANGULAR ± 1/2°

	INCH	METRIC
3 PLACE	± .010	---
2 PLACE	± .014	± 0.25
1 PLACE	---	± 0.36

DRAFT WHERE APPLICABLE MUST REMAIN WITHIN DIMENSIONS

DRWG. BY: JUS CHKD. BY: RW
 APP'D: RAS SCALE: 2 : 1

TITLE: .093/(2.36) HOUSING, PLUG & RECEPTACLE
 3 CIRCUIT, 198/(5.03) C

PART NO.: SD-1396
 L15LEJLL 60532 U.S.A. 1 of 2 4 / 3 / 88

MOLEX INCORPORATED
 SHEET NO. DATE
 SEE SHEET 2 SD-1396-•

THIS DRAWING CONTAINS INFORMATION THAT IS PROPRIETARY TO MOLEX INC. AND SHOULD NOT BE USED WITHOUT WRITTEN PERMISSION. CP

13 12 11 10 9 8 7 6 5 4 3 2 1

PLUG		RECEPTACLE	
ORDER NO.	ENG. NO.	ORDER NO.	ENG. NO.
03-09-2031	I396-P	03-09-1031	I396-R
03-09-2032	I396-P1	03-09-1032	I396-R1
03-09-7032	I396-P1BK	03-09-1033	I396-R2
03-09-7031	I396-PBK	03-09-6033	I396-R2BK
PRELIMINARY	I396-P-B	03-09-6032	I396-R1BK
		03-09-6031	I396-RBK
		PRELIMINARY	I396-R-B
		PRELIMINARY	I396-R1-B
		03-09-1081	I396-R4

LEGEND:

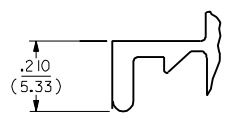
I396-*****

P = PLUG
R = RECEPTACLE

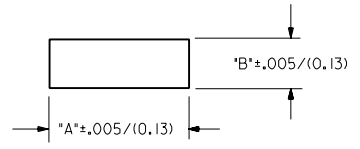
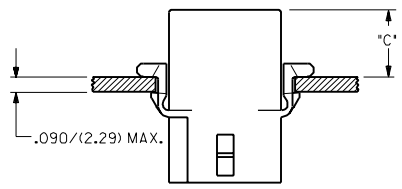
BLANK = WITH STANDARD EARS
 1 = WITHOUT EARS
 2 = RECEPTACLE WITHOUT EARS, WITHOUT LOCK RAMP
 3 = PLUG ONLY, W/ SIDE MOUNT (SEE SD-I396-P3)
 4 = WITH PREBENT EARS

COLOR: BLANK=NATURAL COLOR
 AM=AMBER BK=BLACK BU=BLUE
 BN=BROWN CY=GRAY GN=GREEN
 OR=ORANGE RD=RED YW=YELLOW

BLANK = NYLON 6/6, 94V-2
 B = NYLON TYPE 6/6, 94V-2, UV STABILIZED



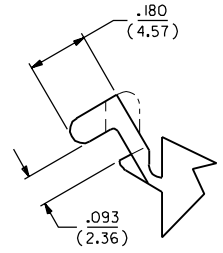
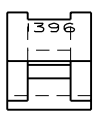
DETAIL A
STANDARD MOUNTING EAR
(SCALE 4:1)



RECOMMENDED PANEL MOUNTING HOLE

HOUSING	DIM. "A"	DIM. "B"	"C" PREBENT EAR	"C" STANDARD EAR
PLUG	.933/(23.70)	.375/(9.53)	.40/(10.2)	.38/(9.7)
RECEPT.	.830/(21.08)	.312/(7.92)	.41/(10.4)	.39/(9.9)

NOTES:
 1. MOLEX PRODUCT SPEC 02-09 APPLIES.
 2. CIRCUIT I.D. NUMBERS ON SIDE OF HOUSING APPEAR ON PARTS FROM TOOLS BUILT AFTER 5/4/93.



DETAIL B
PREBENT MOUNTING EAR
(SCALE 4:1)

I396

I396

A

A

DIMENSIONS SHOWN (METRIC) INCH		▽=0 ▽=0		REVISE ONLY ON CAD SYSTEM	
UNLESS OTHERWISE SPECIFIED TOLERANCES ANGLES ARE 1/2°					
INCH		METRIC			
3 PLACE	± .010	---			
2 PLACE	± .014	± 0.25			
1 PLACE	---	± 0.35			
DRAFT WHERE APPLICABLE MUST REMAIN WITHIN DIMENSIONS					
DRWG. BY	JJS	CHK'D. BY	RW		
APP'D. BY	RAS	SCALE	:		
LTR.	REVISIONS	LTR.	REVISIONS		

TITLE
 .093/(2.36) HOUSINGS
 PLUG & RECEPTACLE
 3 CIRCUIT .198/(5.03)C

MOLEX INCORPORATED
 LITTLE ROCK, AR 60532 U.S.A.

PART NO. SEE CHART
 SHEET NO. 2
 DATE 4/8/88

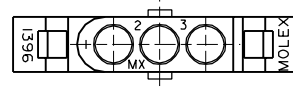
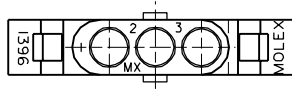
SD-I396-*

THIS DRAWING CONTAINS INFORMATION THAT IS PROPRIETARY TO MOLEX INC. AND SHOULD NOT BE USED WITHOUT WRITTEN PERMISSION.

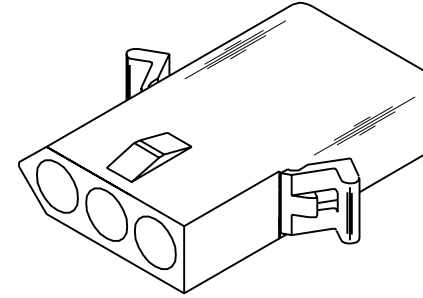
DIV. CP
 SIZE C

13 12 11 10 9 8 7 6 5 4 3 2 1

DWG. NO.
SD-1396-001

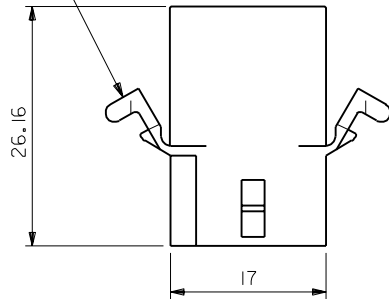


OPTIONAL END CONFIGURATION

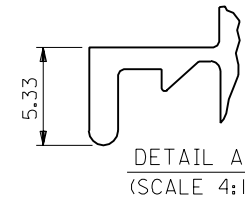
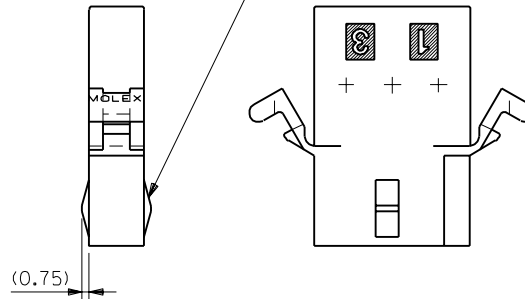


RECEPTACLE

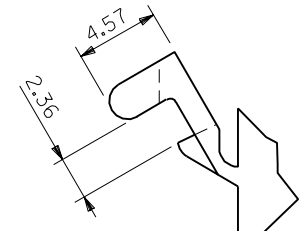
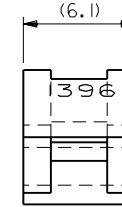
MT'G EARS (表参照)
参照 DETAIL A OR B



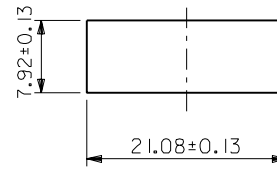
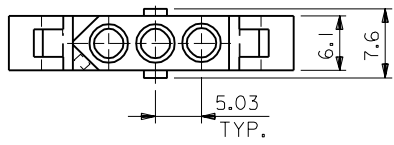
LOCKING TAB (表参照)



DETAIL A
(SCALE 4:1)



DETAIL B
(SCALE 4:1)



パネル取付穴寸法
(パネル厚 2.29最大)

I396R4	03-09-1081	有	WITH	有	WITH DETAIL B
I396R2	03-09-1033	無	WITHOUT	無	WITHOUT
I396R1	03-09-1032	有	WITH	無	WITHOUT
I396R	03-09-1031	有	WITH	有	WITH DETAIL A
ENG. NO.	EDP NO.	LOCKING TABS		MT'G EARS	

MODEL NO.	03-09-1***	DIMENSIONS:	SHT	REV
DESIGN UNITS	<input checked="" type="checkbox"/> mm <input type="checkbox"/> INCH	<input type="checkbox"/> mm <input type="checkbox"/> INCH	<input type="checkbox"/> mm <input checked="" type="checkbox"/> ONLY	REVISE ON CAD ONLY
THIRD ANGLE PROJECTION				
DRAWN BY & DATE	K.KOHAMA 00/08/28			
CHECKED BY & DATE	T.YAMAGUCHI 00/08/28			
APPROVED BY & DATE	M.FUKUSHIMA 00/08/28			
CAD FILENAME	I396001.S01	MATERIAL NO.	SEE NOTES	DRAWING NO.
				SD-1396-001
				SHEET NO. 1 OF 1

TITLE:
3 CIRCUITS RCPT HSG
(0.093 DIA TERMINAL)

MOLEX INCORPORATED

THIS DRAWING CONTAINS INFORMATION THAT IS PROPRIETARY TO MOLEX INCORPORATED AND SHOULD NOT BE USED WITHOUT WRITTEN PERMISSION.

EN-02J(097) MXJ-54

DO NOT SCALE DRAWING

EC NO. DRWN: CHK'G APPR:	EC NO. DRWN: CHK'G APPR:	EC NO. DRWN: CHK'G APPR:	EC NO. DRWN: CHK'G APPR:	EC NO. DRWN: CHK'G APPR:	RELEASED EC NO. JC2001-0078 DRWN: K.KOHAMA 00/08/28 CHK: T.YAMAGUCHI APPR: M.FUKUSHIMA
					DESCRIPTION
					FINISH 材料
					WIRE RANGE 適用電線範囲
					INS. RANGE 被覆外径

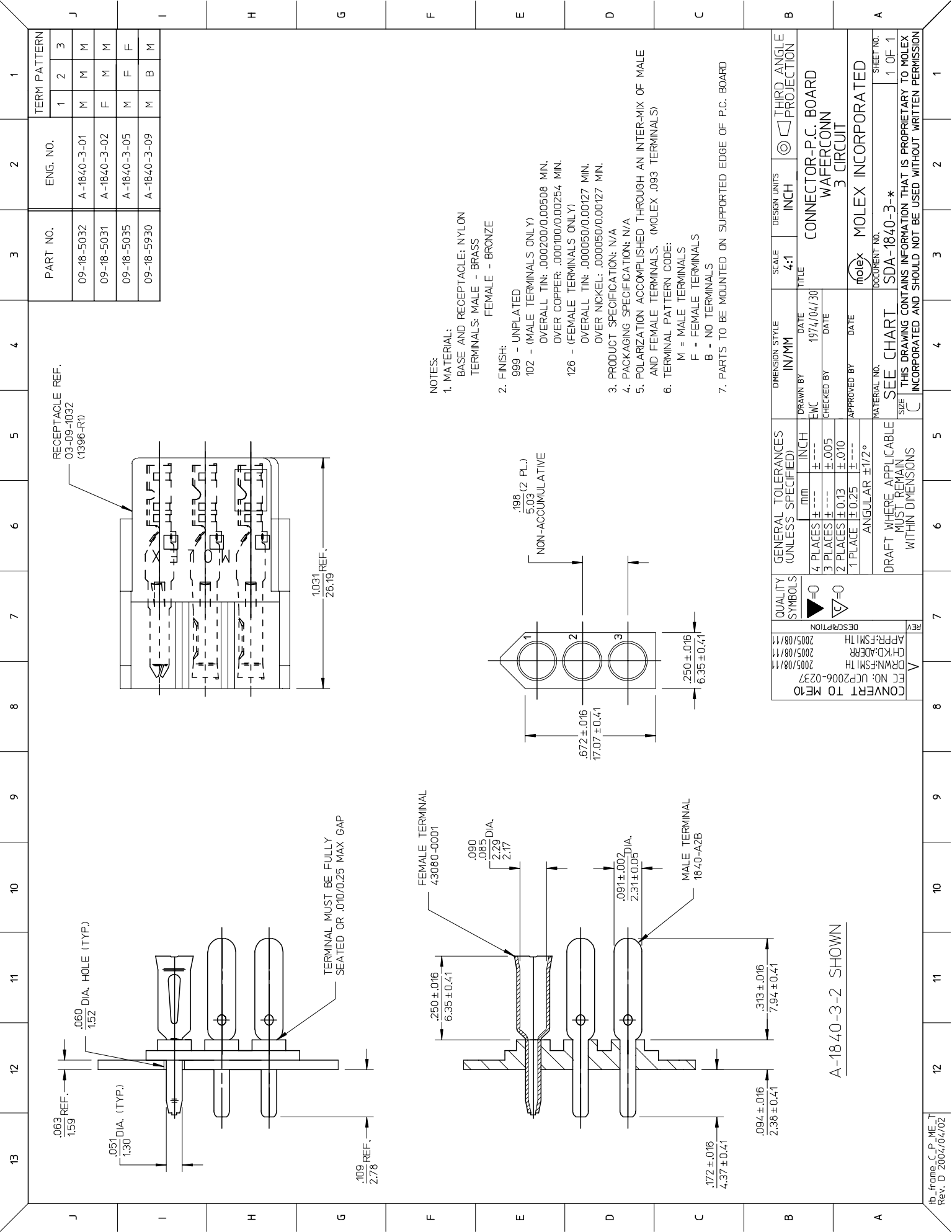
MATERIAL	NYLON66 94V-2
GENERAL TOLERANCES: (UNLESS SPECIFIED) 一般公差	
10 UNDER 未満	+0.25 ±0.25
10 OVER 以上 30 UNDER 未満	+0.3 ±0.25
30 OVER 以上	+0.35 ±0.3
ANGLE 角度	+3°

SCALE	2:1
DESIGN UNITS	<input checked="" type="checkbox"/> mm <input type="checkbox"/> INCH
THIRD ANGLE PROJECTION	

DRAWN BY & DATE	K.KOHAMA 00/08/28
CHECKED BY & DATE	T.YAMAGUCHI 00/08/28
APPROVED BY & DATE	M.FUKUSHIMA 00/08/28
CAD FILENAME	I396001.S01

MATERIAL NO.	SEE NOTES
DRAWING NO.	SD-1396-001
SHEET NO.	1 OF 1

SIZE	B
1396001.S01	



PART NO.	ENG. NO.	TERM PATTERN		
		1	2	3
09-18-5032	A-1840-3-01	M	M	M
09-18-5031	A-1840-3-02	F	M	M
09-18-5035	A-1840-3-05	M	F	F
09-18-5930	A-1840-3-09	M	B	M

QUALITY SYMBOLS	GENERAL TOLERANCES (UNLESS SPECIFIED)	DIMENSION STYLE	SCALE	DESIGN UNITS	THIRD ANGLE PROJECTION
0	4 PLACES ± .005	IN/MM	4:1	INCH	CONNECTOR-P.C. BOARD
0	3 PLACES ± .005	DATE			WAFERCONN
	2 PLACES ± 0.13 ± 0.10	1974/04/30			3 CIRCUIT
	1 PLACE ± 0.25 ± .005	CHECKED BY			
	ANGULAR ±1/2°	APPROVED BY			
	DRAFT WHERE APPLICABLE MUST REMAIN WITHIN DIMENSIONS	MATERIAL NO.			
		SEE CHART			
		SDA-1840-3-*			
		MOLEX INCORPORATED			
		DOCUMENT NO.			
		1 OF 1			
		1 OF 1			

DESCRIPTION	DATE	BY
CONVERT TO METRIC	2005/08/11	V
EC NO: UCF2006-0237	2005/08/11	
DRWN:FSM/TH	2005/08/11	
CHKD:ADER	2005/08/11	
APPR:FSM/TH	2005/08/11	

THIS DRAWING CONTAINS INFORMATION THAT IS PROPRIETARY TO MOLEX INCORPORATED AND SHOULD NOT BE USED WITHOUT WRITTEN PERMISSION

Rev. D 2004/04/02